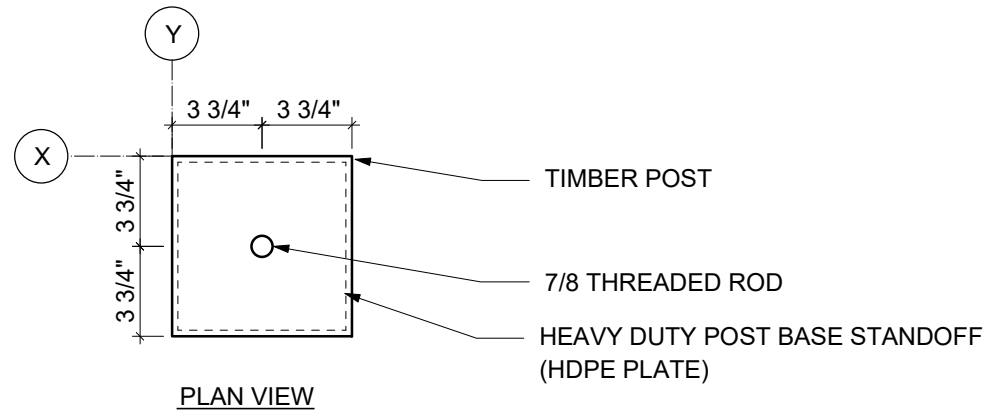
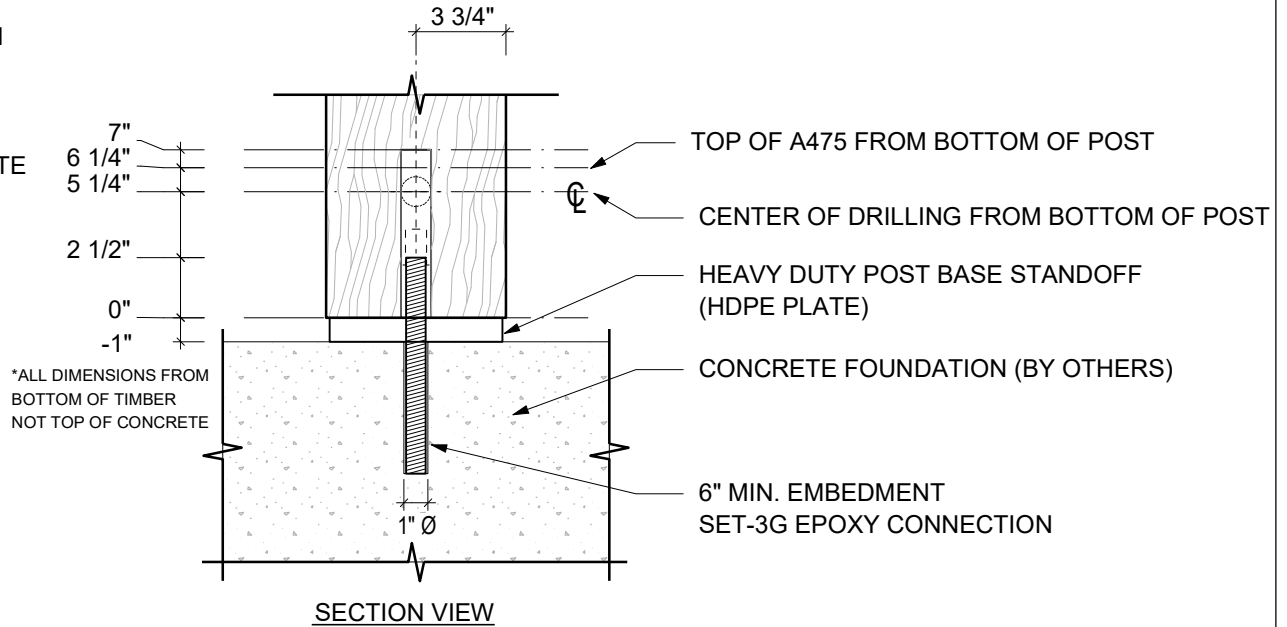


- TIMBERLINX A475 CONNECTION
- PIN EXPANDS TO APPLY FORCE BETWEEN TOP OF LINX ORIFICE AND BOTTOM OF LEVEL DRILLING IN POST
- PRECISION IS REQUIRED
- CONSULT FOR APPROVED EQUIVALENT POST CONNECTION
- BOTH OPTIONS REQUIRE 6" MIN. EMBEDMENT OF 7/8" ROD INTO CONCRETE
- SEAL ENDGRAIN OF POST BOTTOM
- THREADED ROD SHOULD BE 3 1/2" ABOVE TOP OF CONCRETE
- TOP OF A475 SHOULD BE 7 1/4" ABOVE TOP OF CONCRETE




1 POST BASE: TIMBERLINX A475

Scale: 1 1/2" = 1'-0"

Copyright 2025 - Timber Frame HQ. Reproduction and/or use without written permission is prohibited. These are Design Only plans unless sealed by a State Licensed Professional Engineer. TFHQ assumes no responsibility and does not warranty these plans

Timber Frame HQ
P.O. Box 133
Mountain Rest, SC 29664
888-552-9379
timberframehq.com



8x8 POST BASE DETAIL

DATE:	09-25-25	SHEET NO: 1
REV.:		
Designer:	TFHQ	