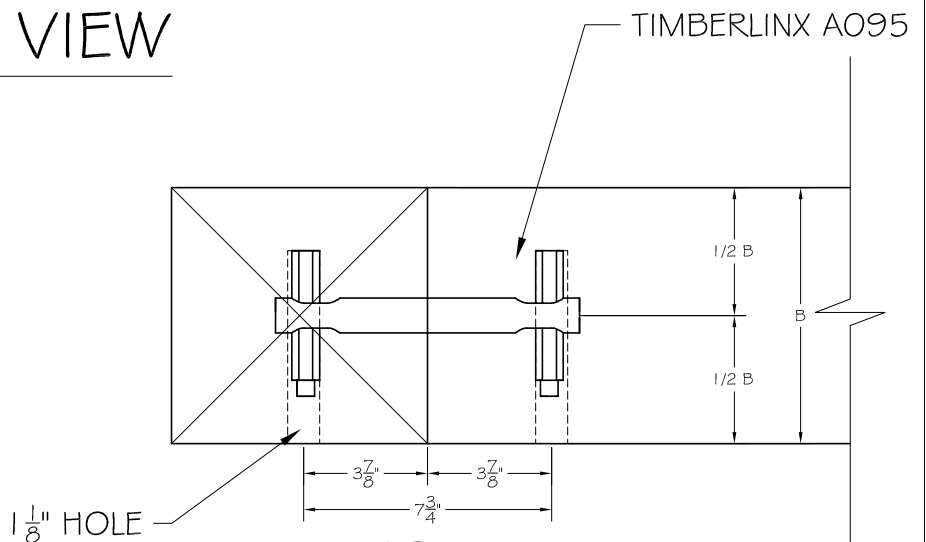
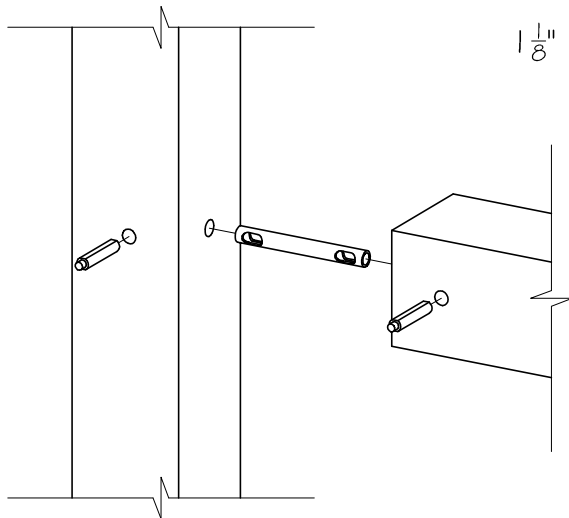


SIDE VIEW



TOP VIEW



INFORMATION CONTAINED WITHIN OR CONDITIONS DEPICTED BY THESE DRAWINGS ARE INTENDED TO BE USED AS A GUIDE ONLY. THE BURDEN OF DETERMINING THE EXACT CONFIGURATION, CAPACITY, AND LOAD REQUIREMENTS OF A SPECIFIC APPLICATION IS THE RESPONSIBILITY OF THE DESIGN PROFESSION AND EXPLICITLY NOT THAT OF TIMBERLINX OR THEIR AGENTS.



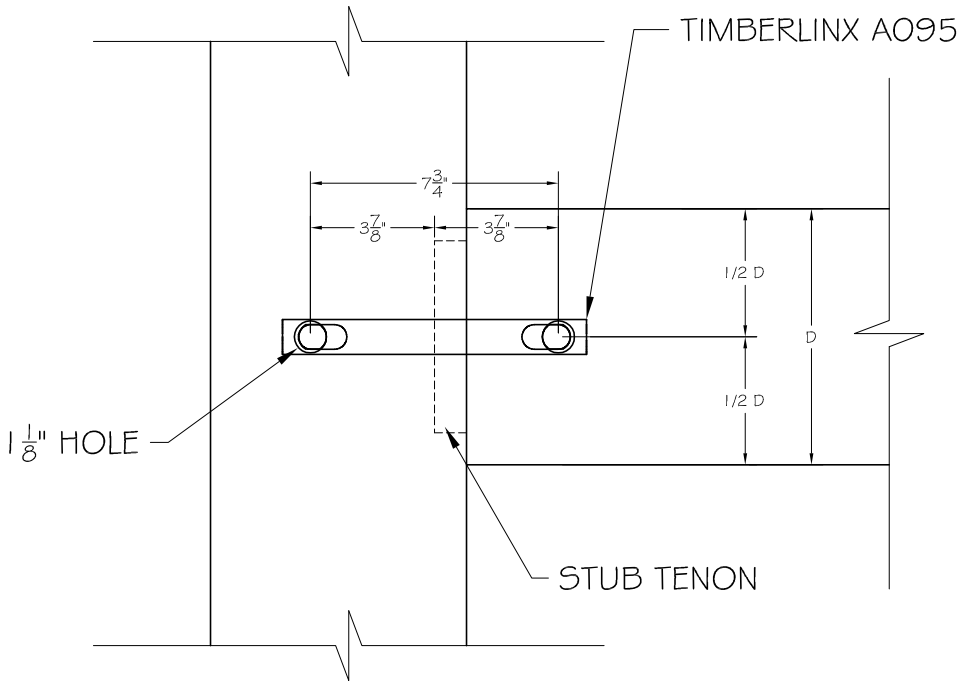
© 2007 TIMBERLINX ALL RIGHTS RESERVED

Sheet Description:  
BEAM TO POST  
Project Description:  
STANDARD DETAILS

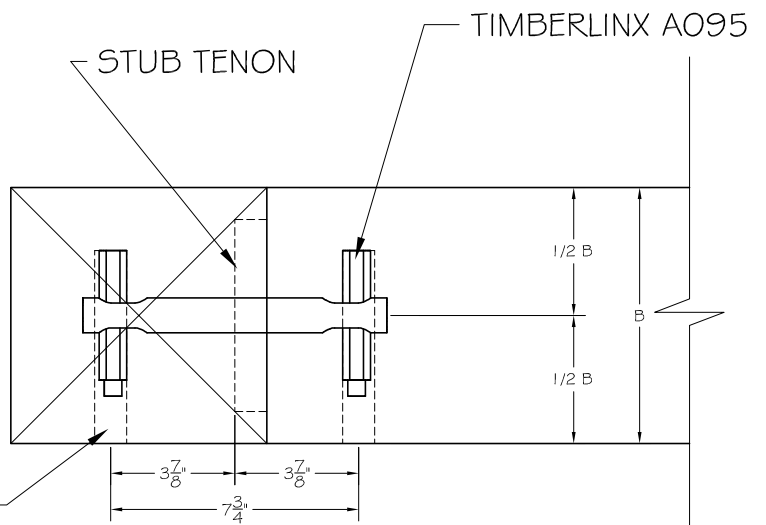
Scale:  
1 1/2" = 1'-0"  
Issued On:  
14 SEPT 07

Drawn By:  
JFM  
Checked By:  
NM/MP

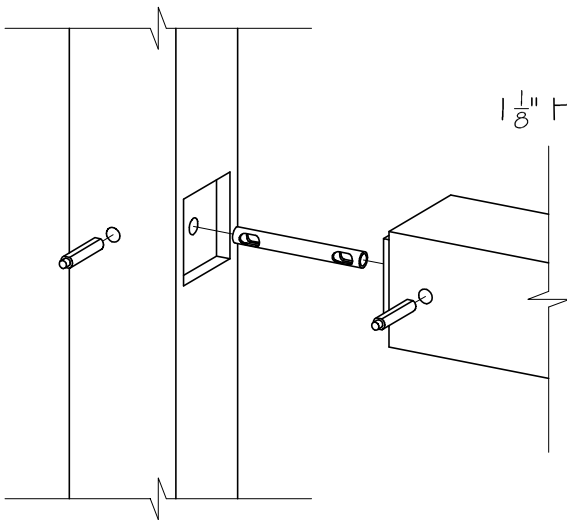
Sheet No.  
TX 1



SIDE VIEW



TOP VIEW



INFORMATION CONTAINED WITHIN OR CONDITIONS DEPICTED BY THESE DRAWINGS ARE INTENDED TO BE USED AS A GUIDE ONLY. THE BURDEN OF DETERMINING THE EXACT CONFIGURATION, CAPACITY, AND LOAD REQUIREMENTS OF A SPECIFIC APPLICATION IS THE RESPONSIBILITY OF THE DESIGN PROFESSION AND EXPLICITLY NOT THAT OF TIMBERLINX OR THEIR AGENTS.



© 2007 TIMBERLINX ALL RIGHTS RESERVED

Sheet Description:  
STUB TENONED BEAM TO POST

Project Description:  
STANDARD DETAILS

Scale:  
1 1/2" = 1'-0"

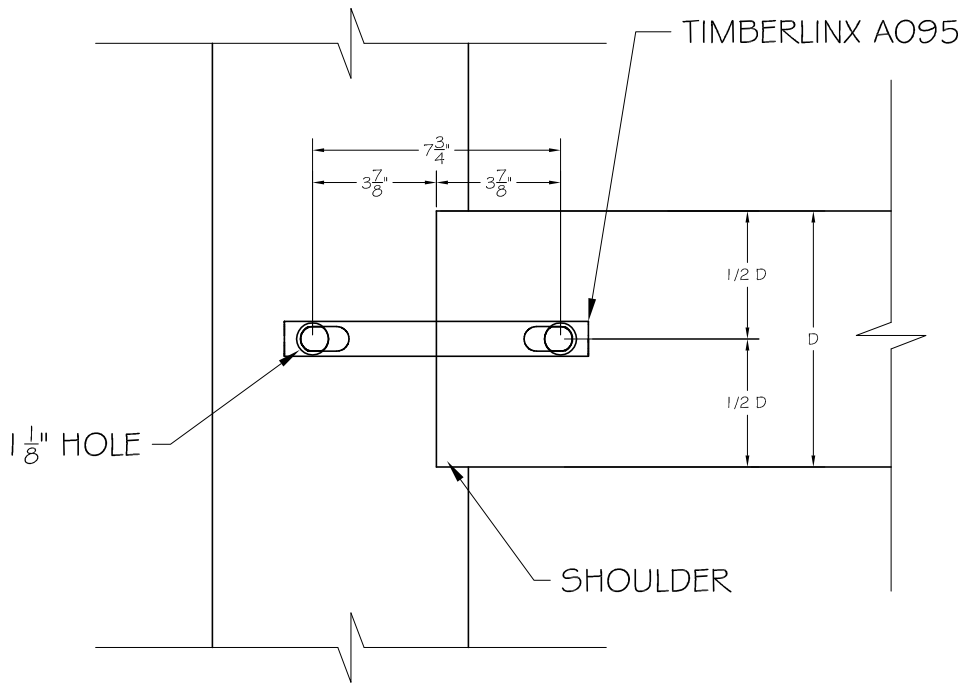
Issued On:  
14 SEPT 07

Drawn By:  
JFM

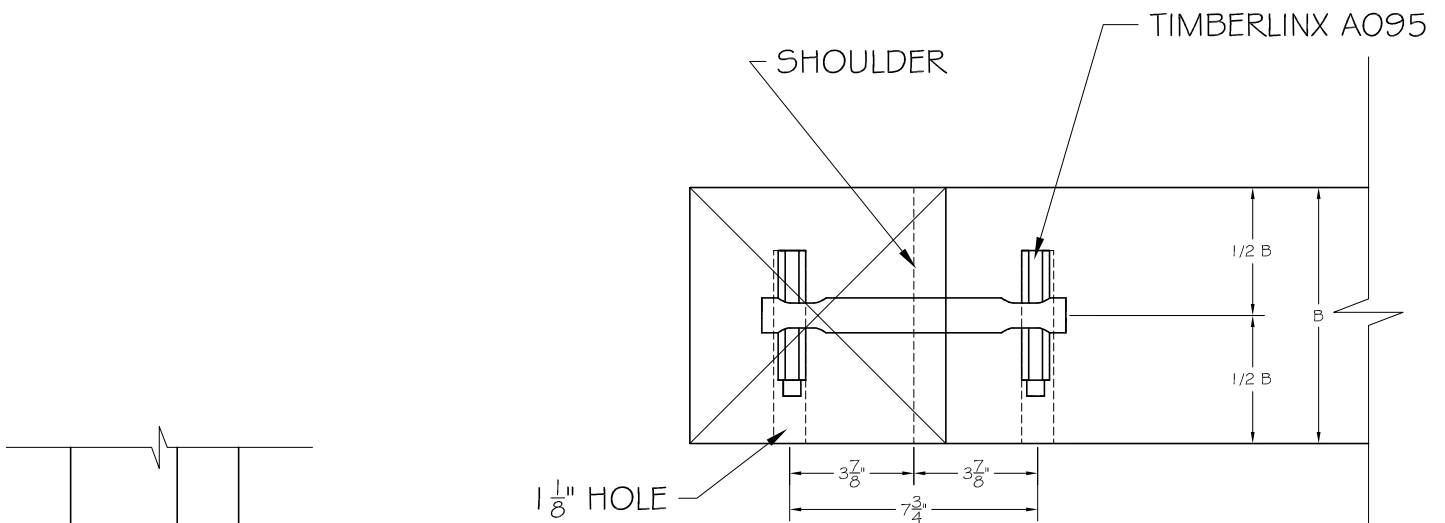
Checked By:  
NM/MP

Sheet No.

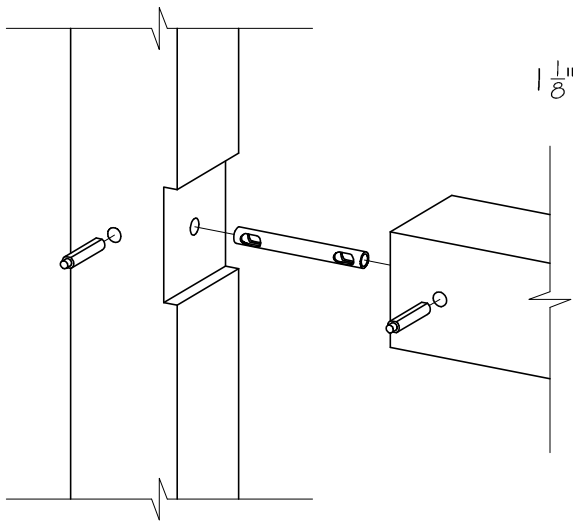
TX2



SIDE VIEW



TOP VIEW



INFORMATION CONTAINED WITHIN OR CONDITIONS DEPICTED BY THESE DRAWINGS ARE INTENDED TO BE USED AS A GUIDE ONLY. THE BURDEN OF DETERMINING THE EXACT CONFIGURATION, CAPACITY, AND LOAD REQUIREMENTS OF A SPECIFIC APPLICATION IS THE RESPONSIBILITY OF THE DESIGN PROFESSION AND EXPLICITLY NOT THAT OF TIMBERLINX OR THEIR AGENTS.



© 2007 TIMBERLINX ALL RIGHTS RESERVED

Sheet Description:  
FULLY HOUSED BEAM TO POST

Project Description:  
STANDARD DETAILS

Scale:  
1 1/2" = 1'-0"

Issued On:  
14 SEPT 07

Drawn By:  
JFM

Checked By:  
NM/MP

Sheet No.

TX3