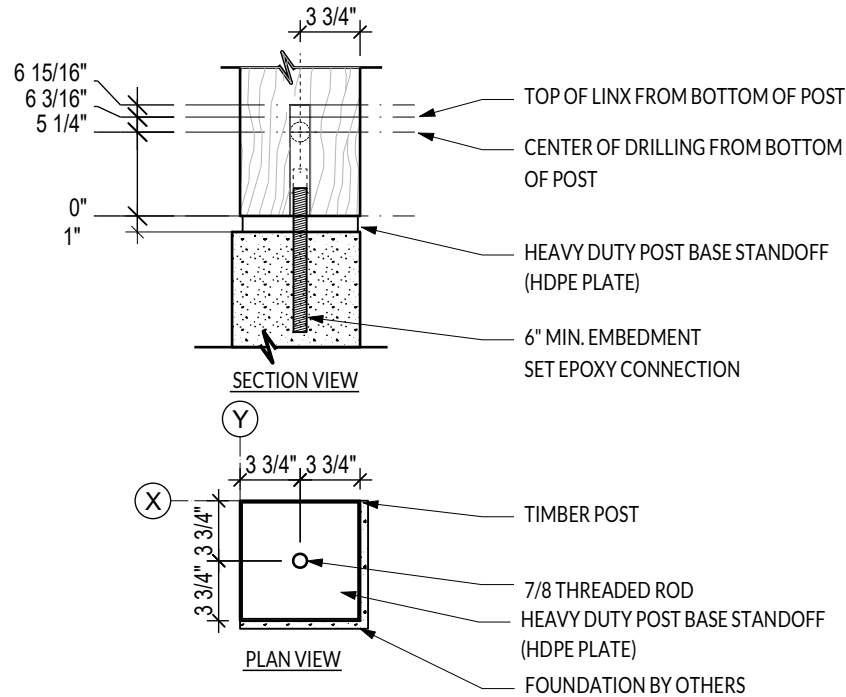


- TIMBERLINX A475 CONNECTION
- PIN EXPANDS TO APPLY FORCE BETWEEN TOP OF LINX ORIFICE AND BOTTOM OF LEVEL DRILLING IN POST
- PRECISION IS REQUIRED.
- CONSULT FOR APPROVED EQUIVALENT POST CONNECTION
- BOTH OPTIONS REQUIRE 6" MIN EMBEDMENT OF 7/8 ROD INTO CONCRETE
- SEAL ENDGRAIN OF POST BOTTOM



2 POST BASE: TIMBERLINX A475
SCALE: 1" = 1'

POST BASE HDPE

Address: -
City, State, Zip: -

Date:	02-09-2023
Issue:	CONCEPT
AOR:	PRO_ARCHI
Client:	CLIENT NAME
Designer:	DESIGNER
Checked By:	DESIGNER

Copyright 2022. Timber Frame HQ.
Reproduction and/or use
without written permission is prohibited. These
are Design Only plans, unless
sealed by a State Licensed Professional
Engineer. TFHQ assumes no
responsibility and does not warrant these plans.

TIMBERFRAME
HEADQUARTERS
PO Box 133
Mountain Rest, SC 29664
888.552.9379
projects@timberframehq.com

TF: 1 OF 1

3D file name: 3026#3DFileName
File name: TLinx-HDPE-Plate Detail.2d