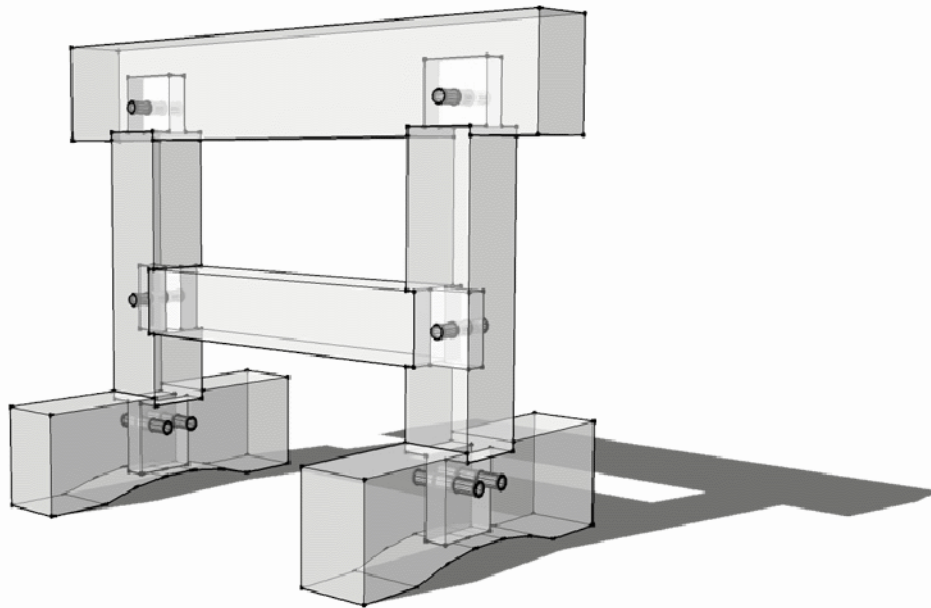
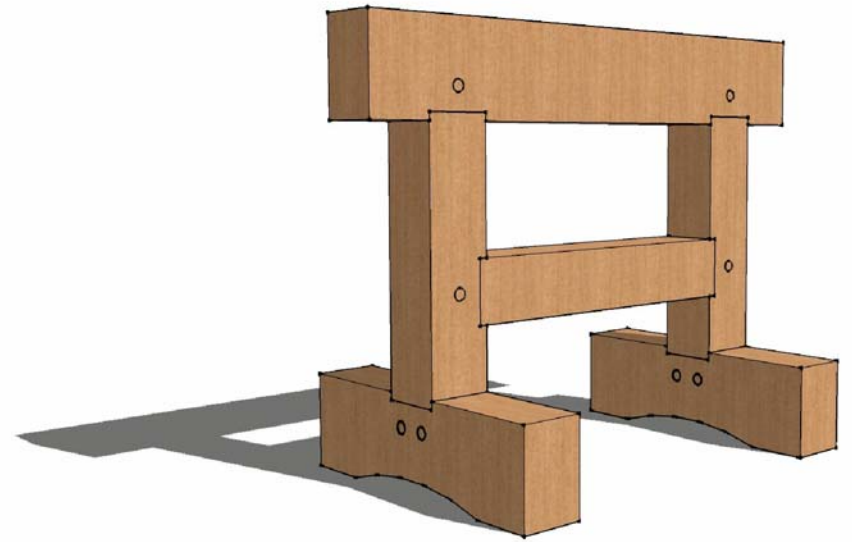


TIMBER LIST FOR 2 HORSES

QUANTITY

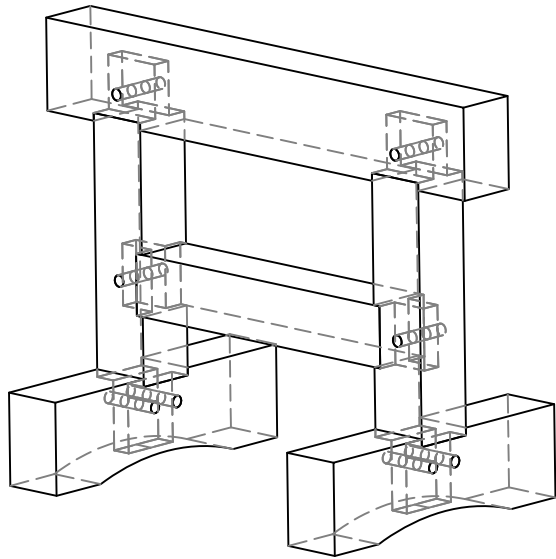
- 4 - POSTS 4" X 4" - 3'
- 2 - BRACES 4 X 4 - 3'
- 4 - BASE 4 X 6 X 18"
- 2 - TOP 4 X 6 - 4'



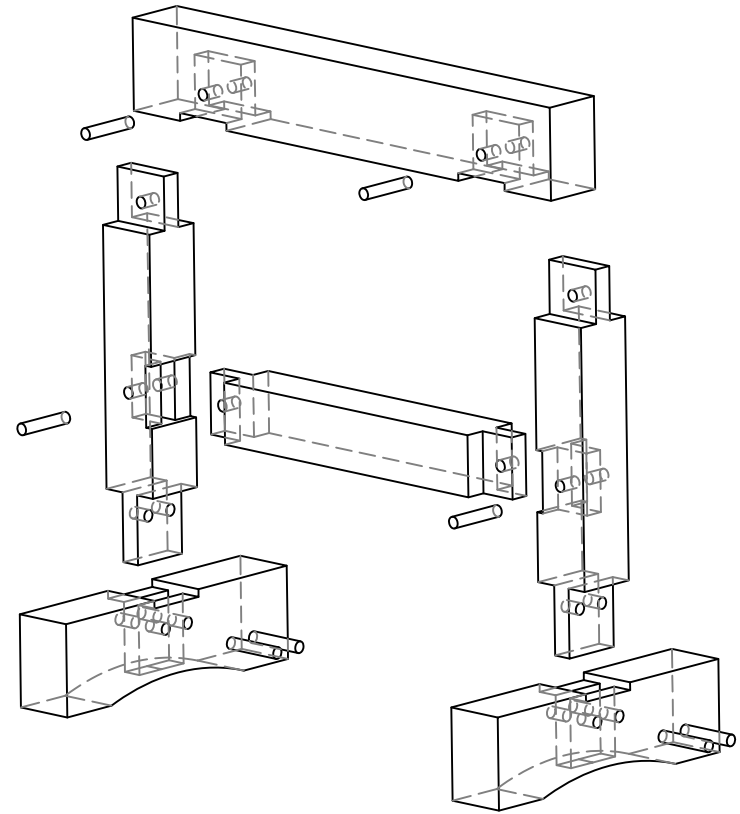
INDEX OF DRAWINGS

PAGE

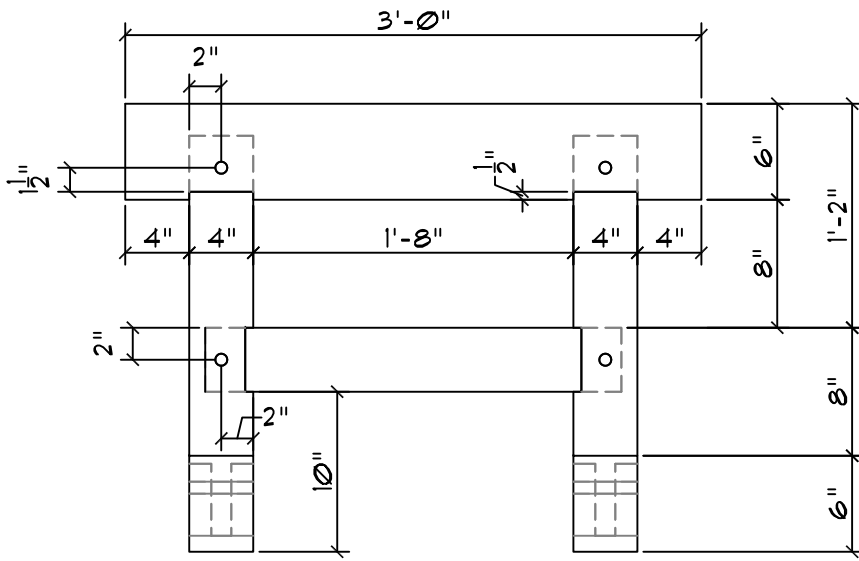
- 1 COVER SHEET/3D PERSPECTIVES
- 2 3D PERSPECTIVES
- 3 PLAN AND ELEVATION VIEWS
- 4 PIECE DRAWINGS



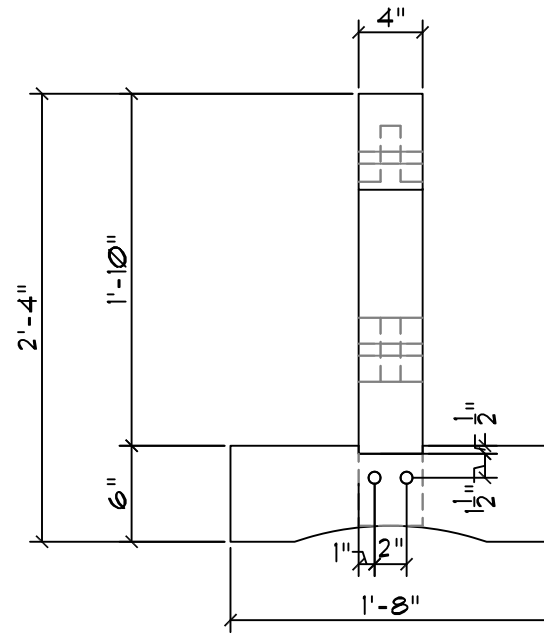
A 3D PERSPECTIVE
SCALE: 1" = 1'-0"



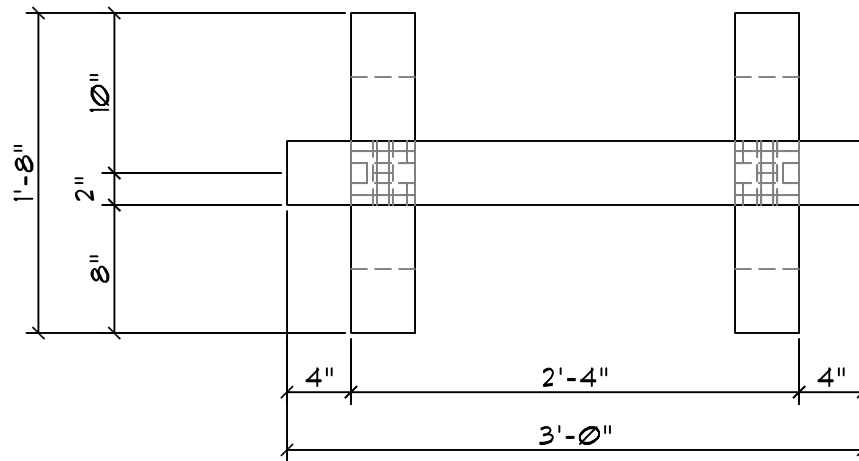
B EXPLODED VIEW
SCALE: 1" = 1'-0"



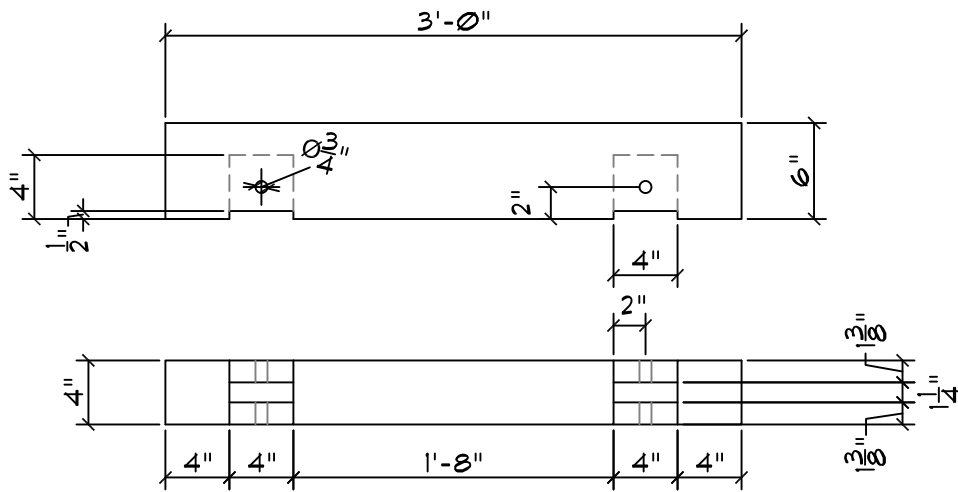
A FRONT ELEVATIONS
SCALE: 1" = 1'-0"



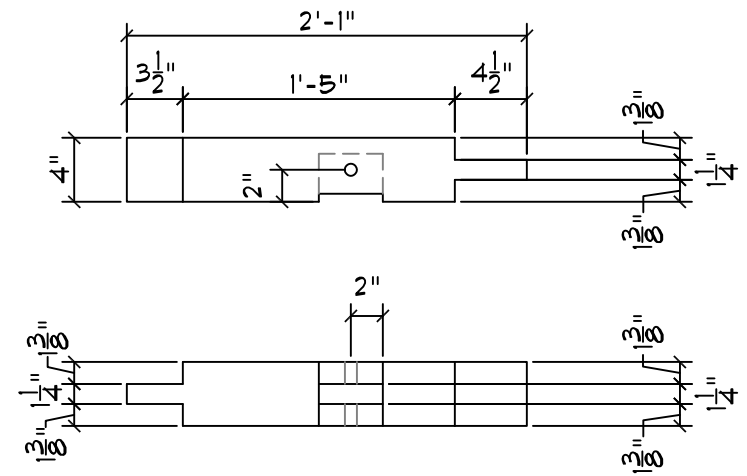
A SIDE ELEVATIONS
SCALE: 1" = 1'-0"



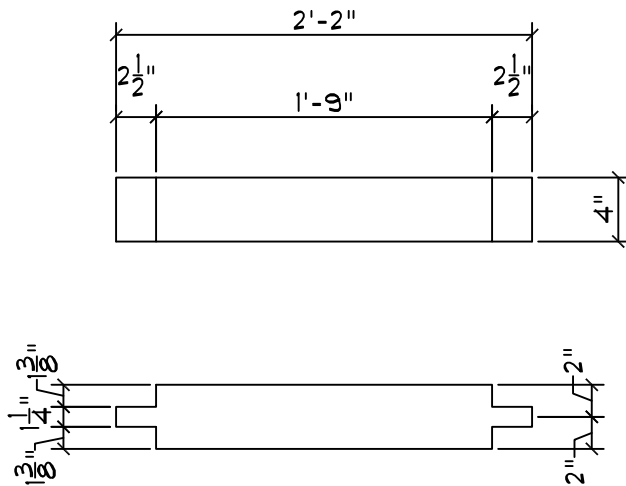
C PLAN VIEW
SCALE: 1" = 1'-0"



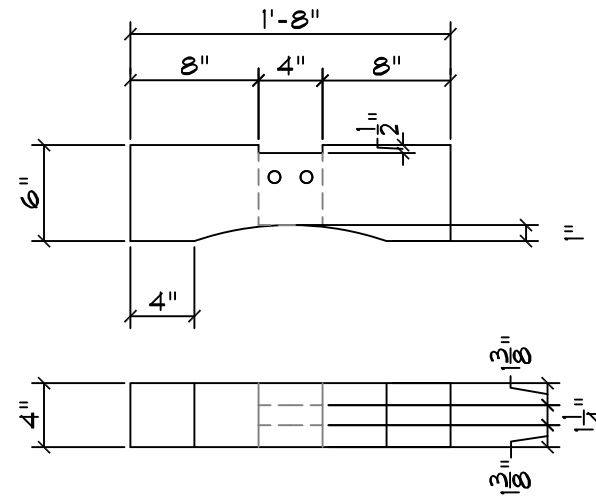
A TYP. TOP
SCALE: 1" = 1'-0"



B TYP. POST
SCALE: 1" = 1'-0"



C TYP. BRACE
SCALE: 1" = 1'-0"



D TYP. BASE
SCALE: 1" = 1'-0"